

URBANFIT **ACTIVO**

# HIP TWIST SINGLE

>> UFE - 6218



## ↓ DOWNLOADS

Login or Register to access to DWG files and large product images.

\*Estimate based on normal lead times and delivery for manufactured products within Australia. To view our range of spare parts, please visit [playgroundparts.com.au](http://playgroundparts.com.au)

## SPECIFICATIONS

|                      |                                  |
|----------------------|----------------------------------|
| Fall Height          | 140mm                            |
| Product Dimensions   | 0.4m x 0.4m x 1.7m(H)            |
| Total Space Required | 10.7m <sup>2</sup> (3.4m x 3.8m) |

## USAGE

 Flexibility  Strength  Balance

## TECHNICAL INFORMATION

|                          |                     |
|--------------------------|---------------------|
| AUS Standards Compliance | AS4685              |
| Assembly Time            | 2 hrs               |
| Total Weight             | 57 kg               |
| Heaviest Component       | 48 kg               |
| Concrete Required        | 0.1 m <sup>3</sup>  |
| Number of Footings       | 2                   |
| Foundations              | Info on application |
| Largest Part             | Info on application |
| Spare Parts Availability | 4-6 weeks*          |

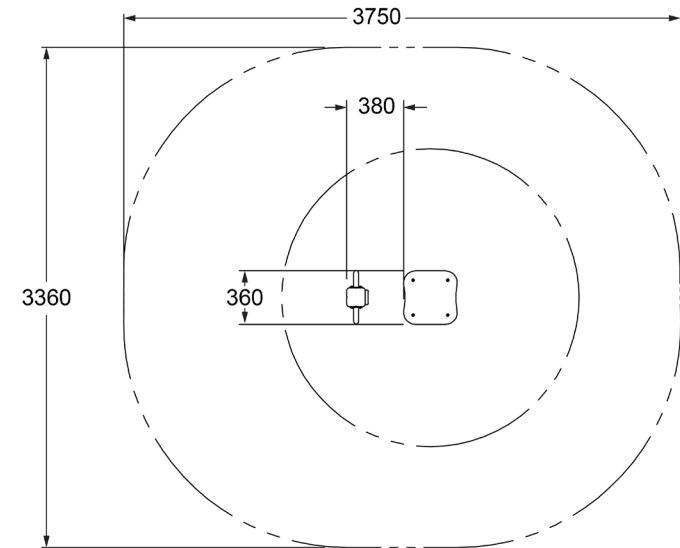
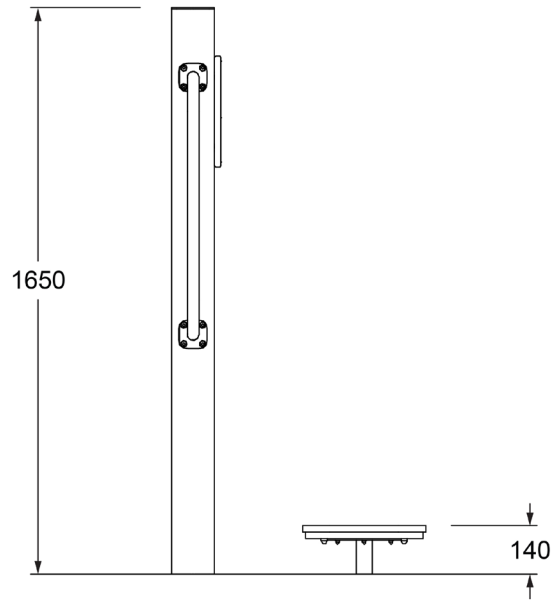
URBANFIT **ACTIVO**

# HIP TWIST SINGLE

>> UFE - 6218



## SIDE AND TOP ELEVATION



For information on our [Care Plan](#), or [Warranty](#), please contact Moduplay Group Pty Ltd:

**P.** 1800 806 145 **P.** +612 4272 1644 **E.** [info@urbanfit.com.au](mailto:info@urbanfit.com.au) **A.** 12-14 Doyle Avenue Unanderra NSW 2526 Australia

**URBANFIT**  
by MODUPLAY