

URBANFIT TREKKO

INCLINED BENCH SIT-UPS 30°

>> UFT-3625



↓ DOWNLOADS


Login or Register to access to DWG files and large product images.

*Estimate based on normal lead times and delivery for manufactured products within Australia. To view our range of spare parts, please visit playgroundparts.com.au

SPECIFICATIONS

Fall Height	1000mm
Product Dimensions	1.6m x 0.3 m x 1m(H)
Total Space Required	12.9m ² (4.6m x 3.3m)

USAGE

 Strength

TECHNICAL INFORMATION

AUS Standards Compliance	AS 16630:2021
Assembly Time	1 hr
Total Weight	25 kg
Heaviest Component	10 kg
Concrete Required	0.2 m ³
Number of Footings	2
Foundations	Info on application
Largest Part	Info on application
Spare Parts Availability	4-6 weeks*

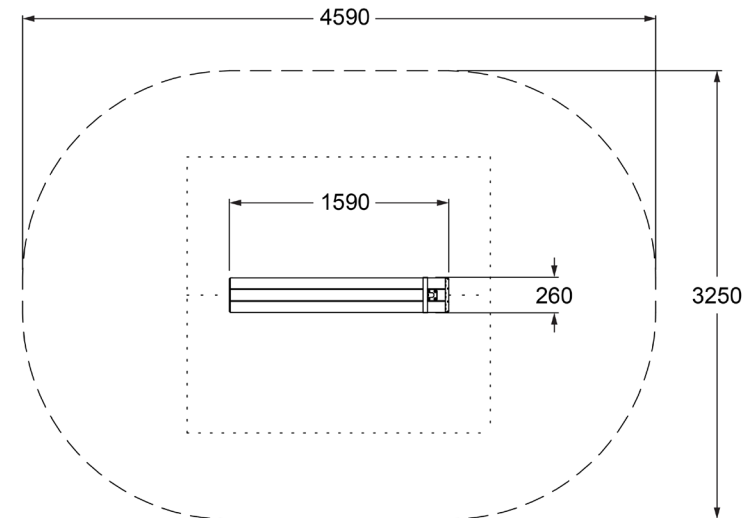
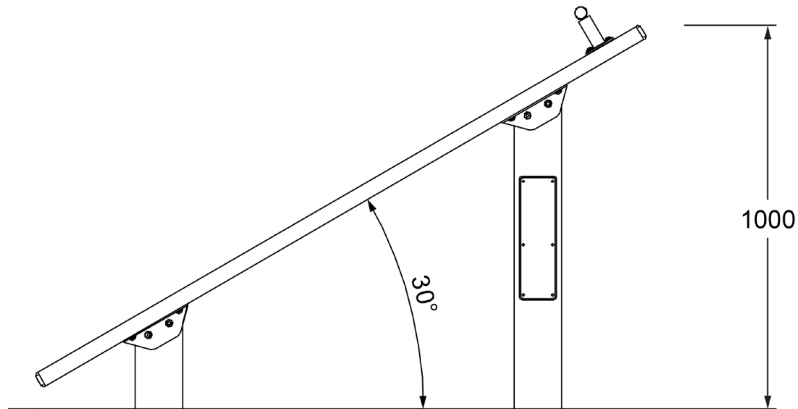
URBANFIT TREKKO

INCLINED BENCH SIT-UPS 30°

>> UFT-3625



SIDE AND TOP ELEVATION



For information on our [Care Plan](#), or [Warranty](#), please contact Moduplay Group Pty Ltd:

P. 1800 806 145 **P.** +612 4272 1644 **E.** info@urbanfit.com.au **A.** 12-14 Doyle Avenue Unanderra NSW 2526 Australia

URBANFIT
by MODUPLAY