

URBANFIT TREKKO

# INCLINED BENCH SIT-UPS 15°

>> UFT-3624



## ↓ DOWNLOADS


Login or Register to access to DWG files and large product images.

\*Estimate based on normal lead times and delivery for manufactured products within Australia. To view our range of spare parts, please visit [playgroundparts.com.au](http://playgroundparts.com.au)

## SPECIFICATIONS

Fall Height	620mm
Product Dimensions	1.8m x 0.3m x 0.7m(H)
Total Space Required	13.5m <sup>2</sup> (4.8m x 3.3m)

## USAGE

 Strength

## TECHNICAL INFORMATION

AUS Standards Compliance	AS 16630:2021
Assembly Time	1 hr
Total Weight	23 kg
Heaviest Component	10 kg
Concrete Required	0.2 m <sup>3</sup>
Number of Footings	2
Foundations	Info on application
Largest Part	Info on application
Spare Parts Availability	4-6 weeks*

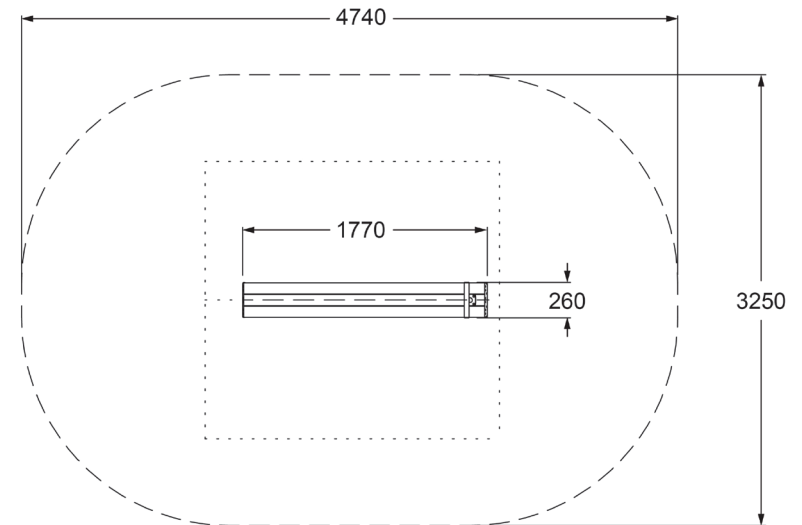
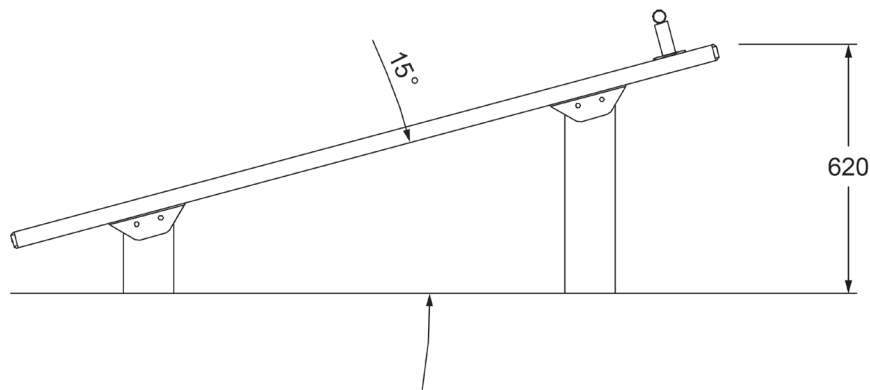
URBANFIT TREKKO

# INCLINED BENCH SIT-UPS 15°

>> UFT-3624



## SIDE AND TOP ELEVATION



For information on our [Care Plan](#), or [Warranty](#), please contact Moduplay Group Pty Ltd:

P. 1800 806 145 P. +612 4272 1644 E. [info@urbanfit.com.au](mailto:info@urbanfit.com.au) A. 12-14 Doyle Avenue Unanderra NSW 2526 Australia

**URBANFIT**  
by MODUPLAY