

URBANFIT **ACTIVO**

PLYOMETRIC PLATFORM 300H

>> UFE - 6215



↓ DOWNLOADS

Login or Register to access to DWG files and large product images.

*Estimate based on normal lead times and delivery for manufactured products within Australia. To view our range of spare parts, please visit playgroundparts.com.au

SPECIFICATIONS

Fall Height	300mm
Product Dimensions	0.8m x 1.4m x 0.3m(H)
Total Space Required	14.3m ² (3.8m x 4.4m)

USAGE

 Cardio

TECHNICAL INFORMATION

AUS Standards Compliance	AS 16630:2021
Assembly Time	1 hr
Total Weight	48 kg
Heaviest Component	48 kg
Concrete Required	0.3 m ³
Number of Footings	4
Foundations	Info on application
Largest Part	Info on application
Spare Parts Availability	4-6 weeks*

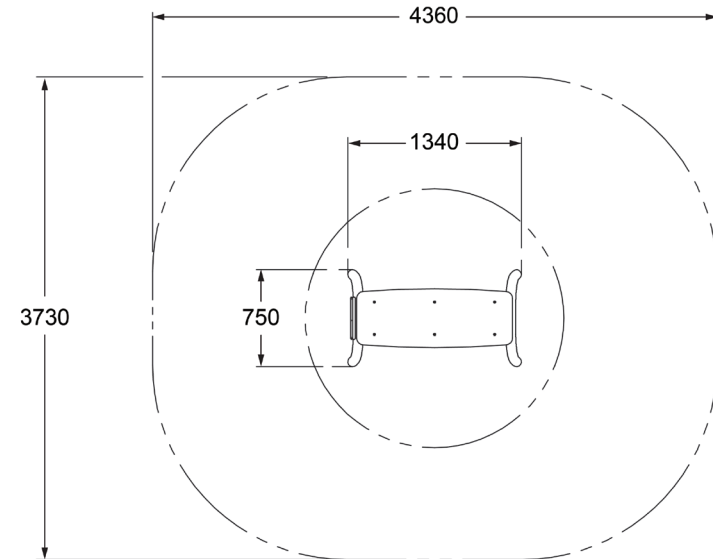
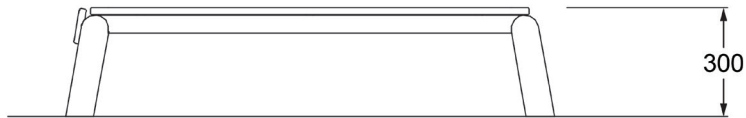
URBANFIT **ACTIVO**

PLYOMETRIC PLATFORM 300H

>> UFE - 6215



SIDE AND TOP ELEVATION



For information on our [Care Plan](#), or [Warranty](#), please contact Moduplay Group Pty Ltd:

P. 1800 806 145 **P.** +612 4272 1644 **E.** info@urbanfit.com.au **A.** 12-14 Doyle Avenue Unanderra NSW 2526 Australia

URBANFIT
by MODUPLAY