

URBANFIT **ACTIVO**

# HAND PEDAL DOUBLE

>> UFE - 6214



## ↓ DOWNLOADS

Login or Register to access to DWG files and large product images.

\*Estimate based on normal lead times and delivery for manufactured products within Australia. To view our range of spare parts, please visit [playgroundparts.com.au](http://playgroundparts.com.au)

## SPECIFICATIONS

|                      |                                 |
|----------------------|---------------------------------|
| Fall Height          | N/A                             |
| Product Dimensions   | 0.5m x 0.8m x 1.5m(H)           |
| Total Space Required | 11 m <sup>2</sup> (3.5m x 3.8m) |

## USAGE

 Cardio

## TECHNICAL INFORMATION

|                          |                     |
|--------------------------|---------------------|
| AUS Standards Compliance | AS 16630:2021       |
| Assembly Time            | 2 hrs               |
| Total Weight             | 54 kg               |
| Heaviest Component       | 54 kg               |
| Concrete Required        | 0.2 m <sup>3</sup>  |
| Number of Footings       | 1                   |
| Foundations              | Info on application |
| Largest Part             | Info on application |
| Spare Parts Availability | 4-6 weeks*          |

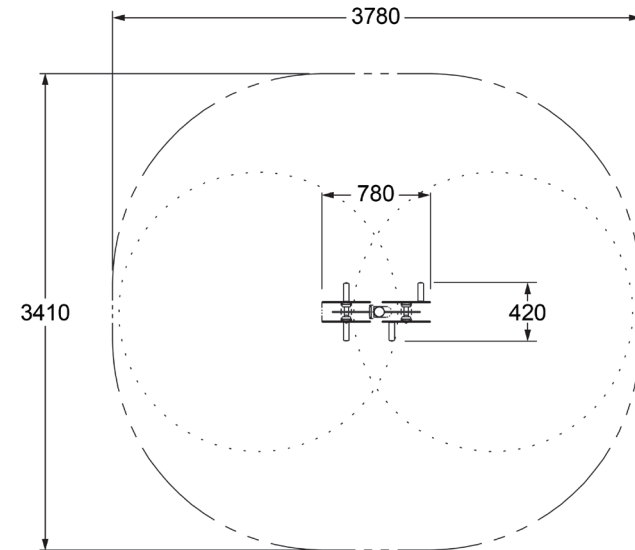
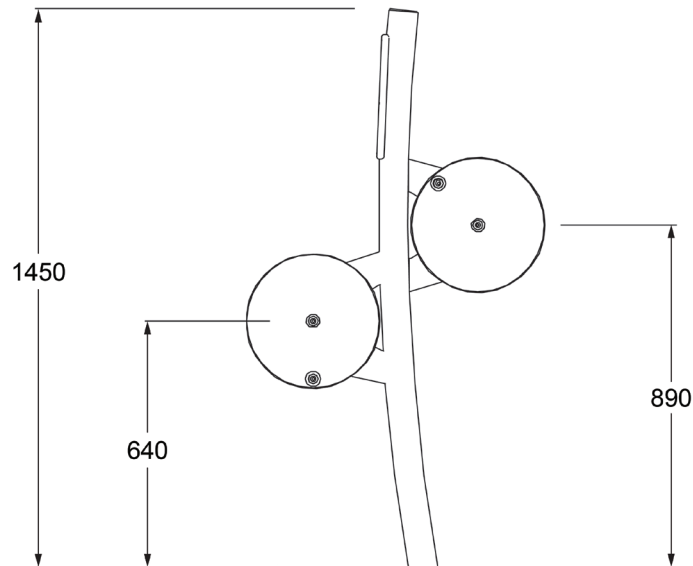
URBANFIT **ACTIVO**

# HAND PEDAL DOUBLE

>> UFE - 6214



## SIDE AND TOP ELEVATION



For information on our [Care Plan](#), or [Warranty](#), please contact Moduplay Group Pty Ltd:

**P.** 1800 806 145 **P.** +612 4272 1644 **E.** [info@urbanfit.com.au](mailto:info@urbanfit.com.au) **A.** 12-14 Doyle Avenue Unanderra NSW 2526 Australia

**URBANFIT**  
by MODUPLAY