

# URBANFIT **ACTIVO** SPIN CYCLE

>> UFE - 6213



## ↓ DOWNLOADS

Login or Register to access to DWG files and large product images.

\*Estimate based on normal lead times and delivery for manufactured products within Australia. To view our range of spare parts, please visit [playgroundparts.com.au](http://playgroundparts.com.au)

## SPECIFICATIONS

Fall Height	480mm
Product Dimensions	1.3m x 0.4m x 0.9m(H)
Total Space Required	11.6m <sup>2</sup> (4.3m x 3.4m)

## USAGE

📄 Cardio

## TECHNICAL INFORMATION

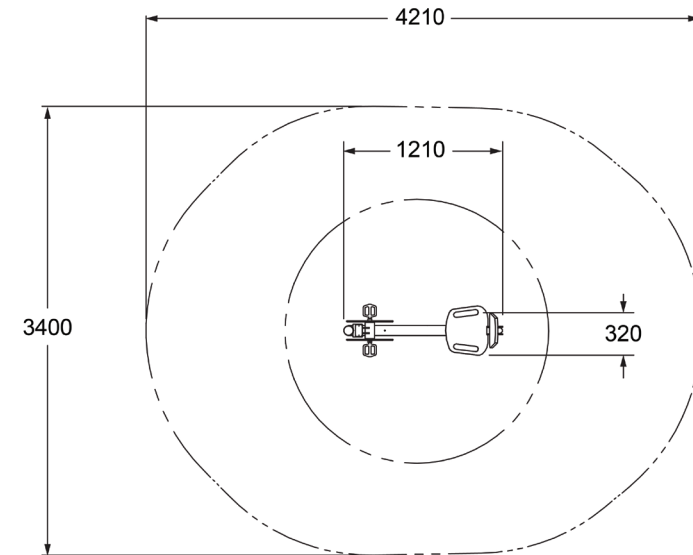
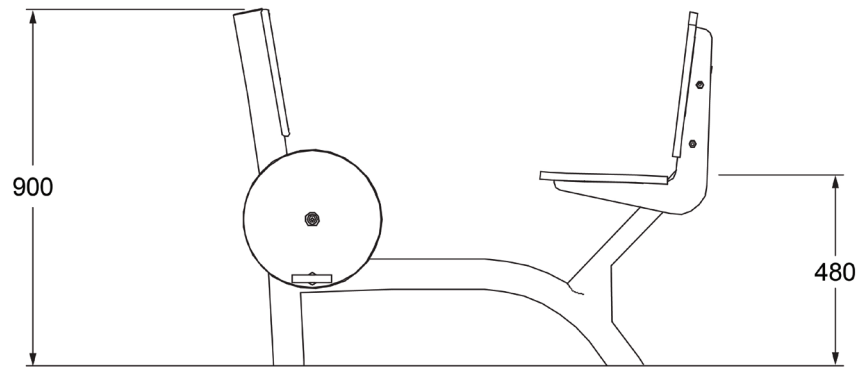
AUS Standards Compliance	AS 16630:2021
Assembly Time	2 hrs
Total Weight	49 kg
Heaviest Component	49 kg
Concrete Required	0.3 m <sup>3</sup>
Number of Footings	2
Foundations	Info on application
Largest Part	Info on application
Spare Parts Availability	4-6 weeks*

URBANFIT **ACTIVO**  
**SPIN CYCLE**

» UFE - 6213



**SIDE AND TOP ELEVATION**



For information on our [Care Plan](#), or [Warranty](#), please contact Moduplay Group Pty Ltd:

**P.** 1800 806 145 **P.** +612 4272 1644 **E.** [info@urbanfit.com.au](mailto:info@urbanfit.com.au) **A.** 12-14 Doyle Avenue Unanderra NSW 2526 Australia

**URBANFIT**  
by MODUPLAY