

URBANFIT TREKKO

COTTESLOE BARS

>> UFT-3612



↓ DOWNLOADS


Login or Register to access to DWG files and large product images.

*Estimate based on normal lead times and delivery for manufactured products within Australia. To view our range of spare parts, please visit playgroundparts.com.au

SPECIFICATIONS

Fall Height	1300mm
Product Dimensions	2.8m x 1.5m x 2.6m(H)
Total Space Required	23.4m ² (5.8m x 4.5m)

USAGE

 Strength

TECHNICAL INFORMATION

AUS Standards Compliance	AS 16630:2021
Assembly Time	3 hrs
Total Weight	140 kg
Heaviest Component	21 kg
Concrete Required	0.6 m ³
Number of Footings	6
Foundations	Info on application
Largest Part	Info on application
Spare Parts Availability	4-6 weeks*

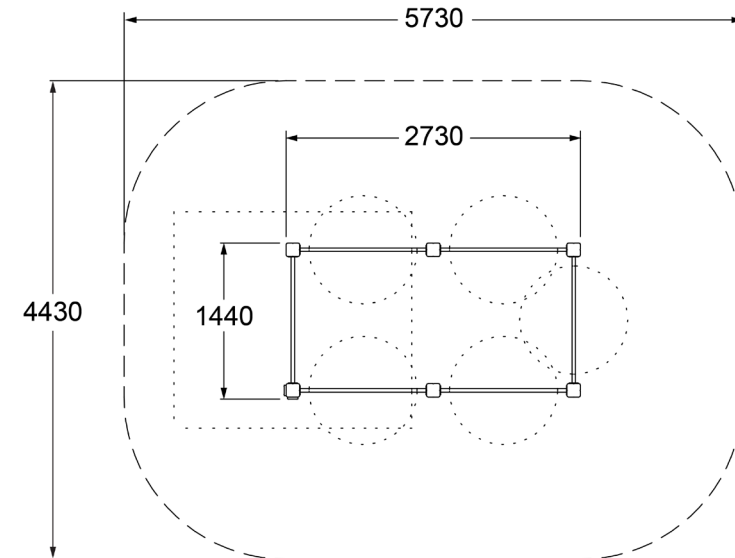
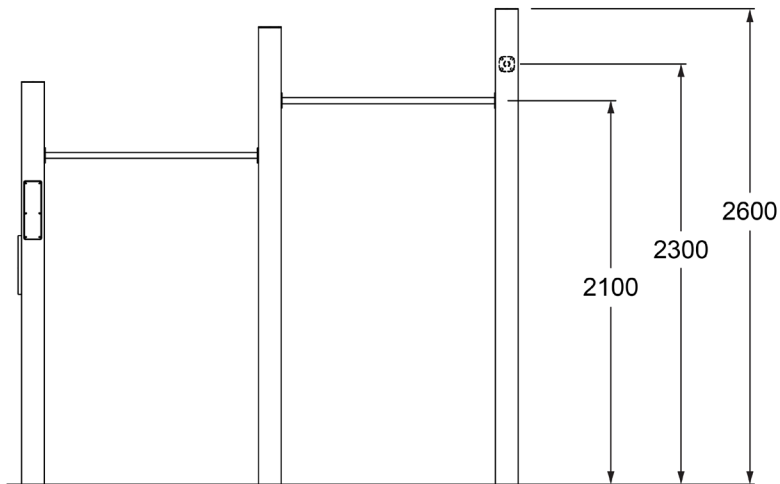
URBANFIT TREKKO

COTTESLOE BARS

>> UFT-3612



SIDE AND TOP ELEVATION



For information on our [Care Plan](#), or [Warranty](#), please contact Moduplay Group Pty Ltd:

P. 1800 806 145 **P.** +612 4272 1644 **E.** info@urbanfit.com.au **A.** 12-14 Doyle Avenue Unanderra NSW 2526 Australia

URBANFIT
by MODUPLAY