

URBANFIT TREKKO

# ELWOOD BARS

>> UFT-3611



## ↓ DOWNLOADS

Login or Register to access to DWG files and large product images.

\*Estimate based on normal lead times and delivery for manufactured products within Australia. To view our range of spare parts, please visit [playgroundparts.com.au](http://playgroundparts.com.au)

## SPECIFICATIONS

Fall Height	1300mm
Product Dimensions	1.5m x 1.5m x 2.6m(H)
Total Space Required	16.6m <sup>2</sup> (4.3m x 4.3m)

## USAGE

 Strength

## TECHNICAL INFORMATION

AUS Standards Compliance	AS 16630:2021
Assembly Time	2 hrs
Total Weight	97 kg
Heaviest Component	21 kg
Concrete Required	0.4 m <sup>3</sup>
Number of Footings	4
Foundations	Info on application
Largest Part	Info on application
Spare Parts Availability	4-6 weeks*

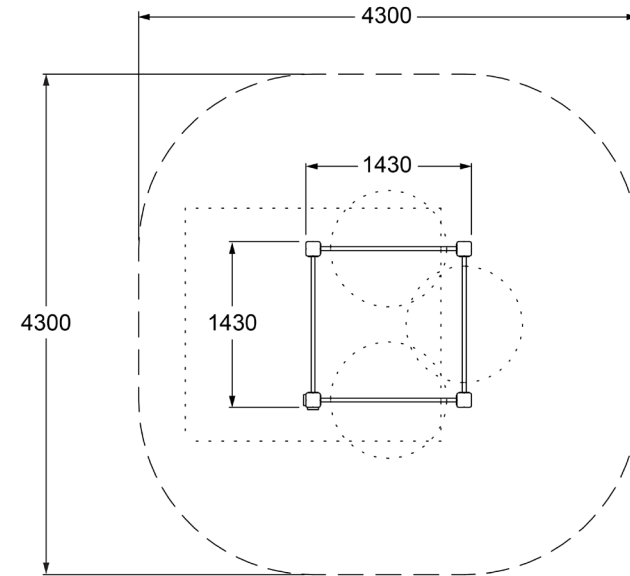
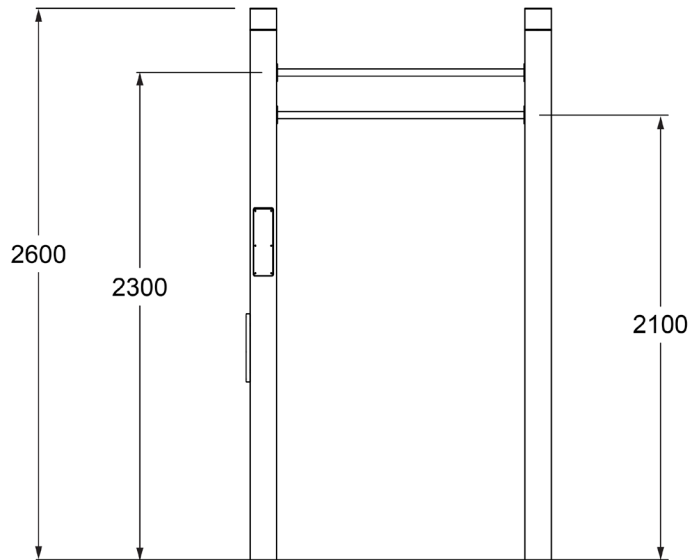
URBANFIT TREKKO

# ELWOOD BARS

>> UFT-3611



## SIDE AND TOP ELEVATION



For information on our [Care Plan](#), or [Warranty](#), please contact Moduplay Group Pty Ltd:

**P.** 1800 806 145 **P.** +612 4272 1644 **E.** [info@urbanfit.com.au](mailto:info@urbanfit.com.au) **A.** 12-14 Doyle Avenue Unanderra NSW 2526 Australia

**URBANFIT**  
by MODUPLAY