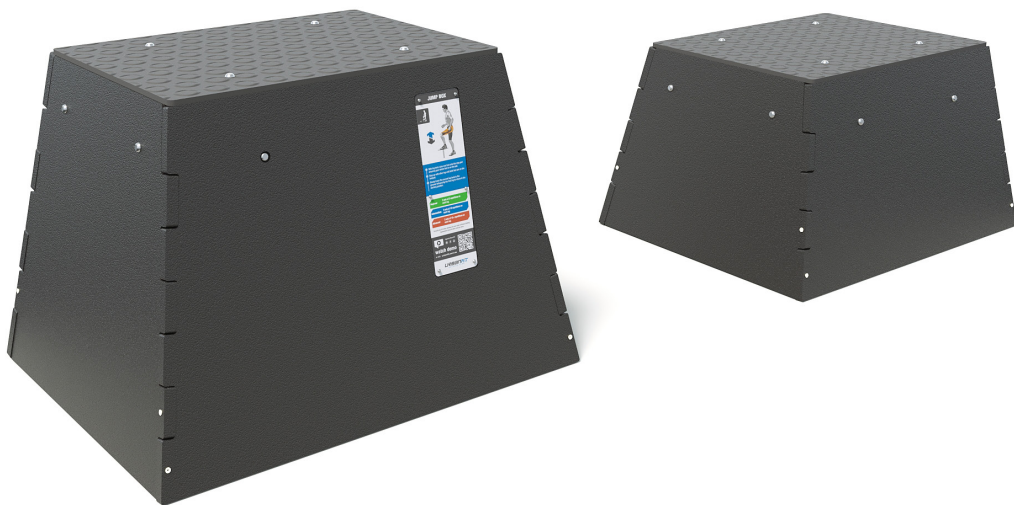


URBANFIT TREKKO JUMP BOX

>> UFT-3609



↓ DOWNLOADS

Login or Register to access to DWG files and large product images.

*Estimate based on normal lead times and delivery for manufactured products within Australia. To view our range of spare parts, please visit playgroundparts.com.au

SPECIFICATIONS

Fall Height	600mm
Product Dimensions	2.1m x 0.7m x 0.6m(H)
Total Space Required	15m ² (5m x 3.5m)

USAGE

 Strength  Cardio

TECHNICAL INFORMATION

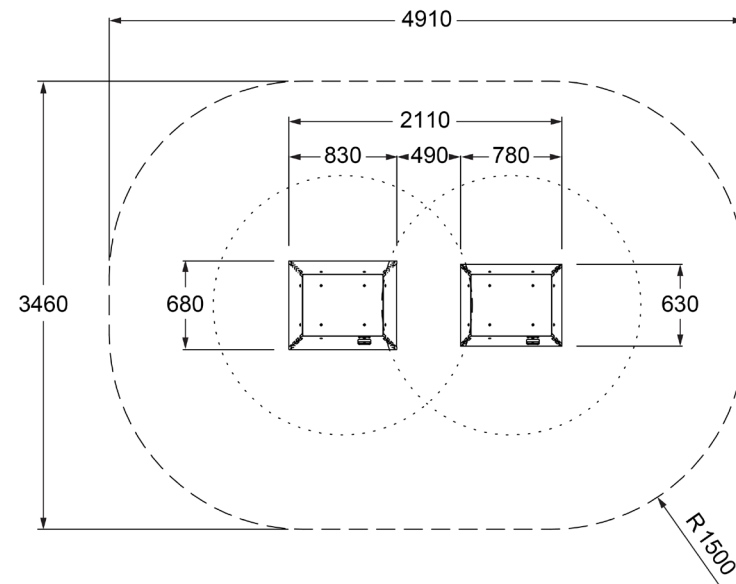
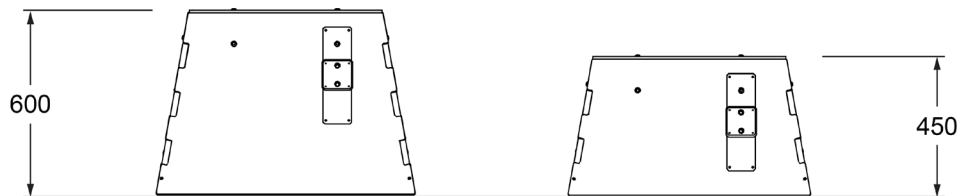
AUS Standards Compliance	AS 16630:2021
Assembly Time	2 hrs
Total Weight	81 kg
Heaviest Component	44 kg
Concrete Required	0.1 m ³
Number of Footings	8
Foundations	Info on application
Largest Part	Info on application
Spare Parts Availability	4-6 weeks*

URBANFIT TREKKO
JUMP BOX

>> UFT-3609



SIDE AND TOP ELEVATION



For information on our [Care Plan](#), or [Warranty](#), please contact Moduplay Group Pty Ltd:

P. 1800 806 145 **P.** +612 4272 1644 **E.** info@urbanfit.com.au **A.** 12-14 Doyle Avenue Unanderra NSW 2526 Australia

URBANFIT
by MODUPLAY