

URBANFIT TREKKO

# SWEDISH BARS

>> UFT-3608



## ↓ DOWNLOADS

Login or Register to access to DWG files and large product images.

\*Estimate based on normal lead times and delivery for manufactured products within Australia. To view our range of spare parts, please visit [playgroundparts.com.au](http://playgroundparts.com.au)

## SPECIFICATIONS

Fall Height	2020mm
Product Dimensions	1.5m x 0.2m x 2.3m(H)
Total Space Required	15.7m <sup>2</sup> (5m x 3.8m)

## USAGE

 Flexibility  Strength

## TECHNICAL INFORMATION

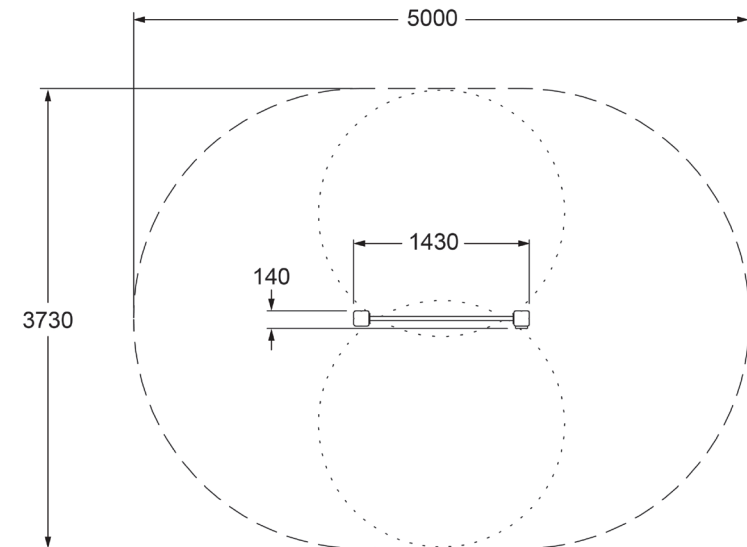
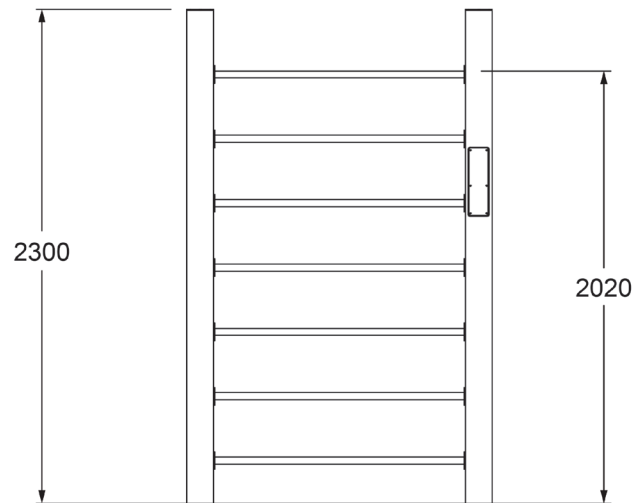
AUS Standards Compliance	AS 16630:2021
Assembly Time	4 hrs
Total Weight	60 kg
Heaviest Component	18 kg
Concrete Required	0.2 m <sup>3</sup>
Number of Footings	2
Foundations	Info on application
Largest Part	Info on application
Spare Parts Availability	4-6 weeks*

URBANFIT TREKKO  
**SWEDISH BARS**

>> UFT-3608



**SIDE AND TOP ELEVATION**



For information on our [Care Plan](#), or [Warranty](#), please contact Moduplay Group Pty Ltd:

**P.** 1800 806 145 **P.** +612 4272 1644 **E.** [info@urbanfit.com.au](mailto:info@urbanfit.com.au) **A.** 12-14 Doyle Avenue Unanderra NSW 2526 Australia

**URBANFIT**  
by MODUPLAY